

# 1 1/16" BORE STAINLESS STEEL CYLINDER



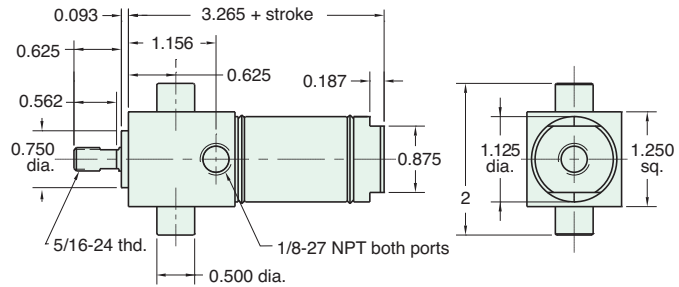
## TDR-17-□-□

Double Acting



**Mount:** Trunnion      **Standard Stroke Lengths:** 1/2", 1", 1-1/2", 2", 3", 4", 5", 6"  
**Type:** Rotating Rod      **Maximum Stroke:** 42"  
**Options:** M, B, W, V, S, N, P6, P7, P8

For S option add 0.250



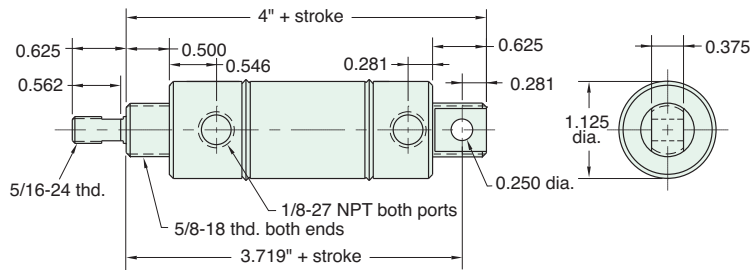
## UDR-17-□-□

Double Acting



**Mount:** Universal      **Standard Stroke Lengths:** 1/2", 1", 1-1/2", 2", 3", 4", 5", 6", 8", 10", 12"  
**Type:** Rotating Rod      **Maximum Stroke:** 41"  
**Options:** C, F, R, M, B, W, V, P2, P3, P4, P5, P6, P7, P8, N

For CM, FM and RM add 0.312



Furnished without nut(s). See Chart on Page 34.

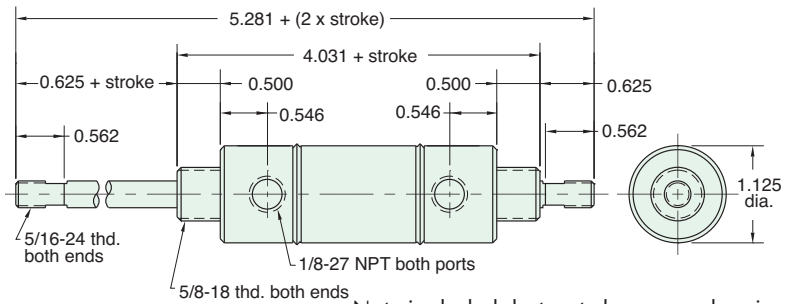
## SDD-17-□-□

Double Acting



**Mount:** Stud      **Standard Stroke Lengths:** 1", 2", 3", 4", 5", 6"  
**Type:** Double Rod      **Maximum Stroke:** 20"  
**Options:** C, F, M, B, W, V, P6, P7, P8, N

For CM, FM and RM add 0.312



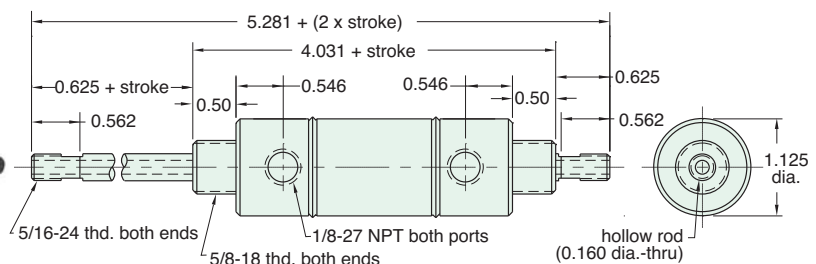
Nuts included, but not shown on drawing

## SDH-17-□-□

Double Acting



**Mount:** Stud      **Standard Stroke Lengths:** 1", 2", 3", 4", 5", 6"  
**Type:** Hollow Rod      **Maximum Stroke:** 20"  
**Options:** M, B, W, V, P6, P7, P8, N



Nuts included, but not shown on drawing